

The information in this document is subject to change without notice and should not be construed as a commitment by ABB. ABB assumes no responsibility for any errors that may appear in this document.

Except as may be expressly stated anywhere in this document, nothing herein shall be construed as any kind of guarantee or warranty by ABB for losses, damages to persons or property, fitness for a specific purpose or the like.

In no event shall ABB be liable for incidental or consequential damages arising from use of this document.

This document and parts thereof must not be reproduced or copied without ABB's written permission, and contents thereof must not be imparted to a third party nor be used for any unauthorized purpose. Contravention will be prosecuted.

Additional copies of this document may be obtained from ABB at its then current charge.

© Copyright 2024 ABB ALL right reserved.

ABB

SE-721 68 Västerås
Sweden

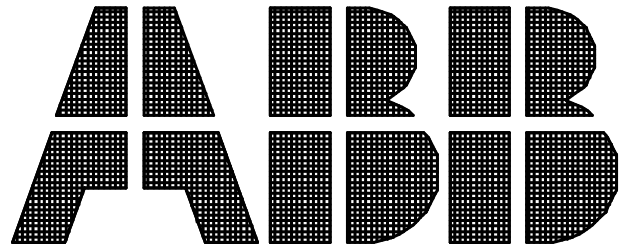
We reserve all rights in this document and in the information contained therein. Reproduction, use or disclosure to third parties without express authority is strictly forbidden. © Copyright ABB

Latest revision:
ECO 500000134827
Pages 5,6 split into 5A,5B,6A,6B - OmniCore variant added
Pages 7,8 split into 7A,7B,8A,8B - variant with or without ext. brake release box added
Page 9 reference to OmniCore circuit diagrams added
Page 14 updated
Prepared by, date: J. POKORNÁ, 2024-09-05 | Approved by, date: M. WADSTEIN, 2024-09-05

 Lab/Office:
RA/RDP

CIRCUIT DIAGR. IRB390 MANIPULATOR
COPYRIGHT PAGE

Status: APPROVED	Plant: = Location: + Sublocation: +	Document no. 3HAC060545-009	Rev. Ind 01	Page 1 Next 2 Total 18
---------------------	---	--------------------------------	----------------	------------------------------



Description : CIRCUIT DIAGR. IRB390 MANIPULATOR
 Drawing number : 3HAC060545-009
 Drawing version : 01
 Date : 2024-08-27

Customer :
 Year of construction :
 :
 :
 :
 :
 :
 :
 :

Drawn by :
 Number of pages : 18
 :
 :
 :
 :

Latest revision:
 ECO 500000134827
 Pages 5,6 split into 5A,5B,6A,6B - OmniCore variant added
 Pages 7,8 split into 7A,7B,8A,8B - variant with or without ext. brake release box added
 Page 9 reference to OmniCore circuit diagrams added
 Page 14 updated
 Prepared by, date: J. POKORNÁ, 2024-09-05 Approved by, date: M. WADSTEIN, 2024-09-05



Lab/Office:
 RA/RDP

CIRCUIT DIAGR. IRB390 MANIPULATOR
 TITLE PAGE

Status:
 APPROVED

Plant: =
 Location: +
 Sublocation: +


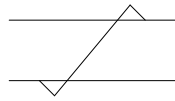
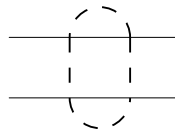
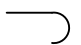
Document no.
 3HAC060545-009

Rev. Ind	Page 2
01	Next 3
	Total 18

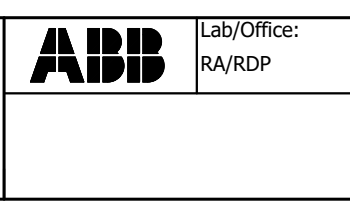
We reserve all rights in this document and in the information contained therein. Reproduction, use or disclosure to third parties without express authority is strictly forbidden. © Copyright ABB

We reserve all rights in this document and in the information contained therein. Reproduction, use or disclosure to third parties without express authority is strictly forbidden. © Copyright ABB

- G Battery
- H Lamp
- M Motor
- PE Protective Earth
- R Resolver
- SH Shield
- SP Splice Sleeve

- 
Functional equipotential bonding
- 
Twisted conductors
- 
Shielded conductors
- 
Free End

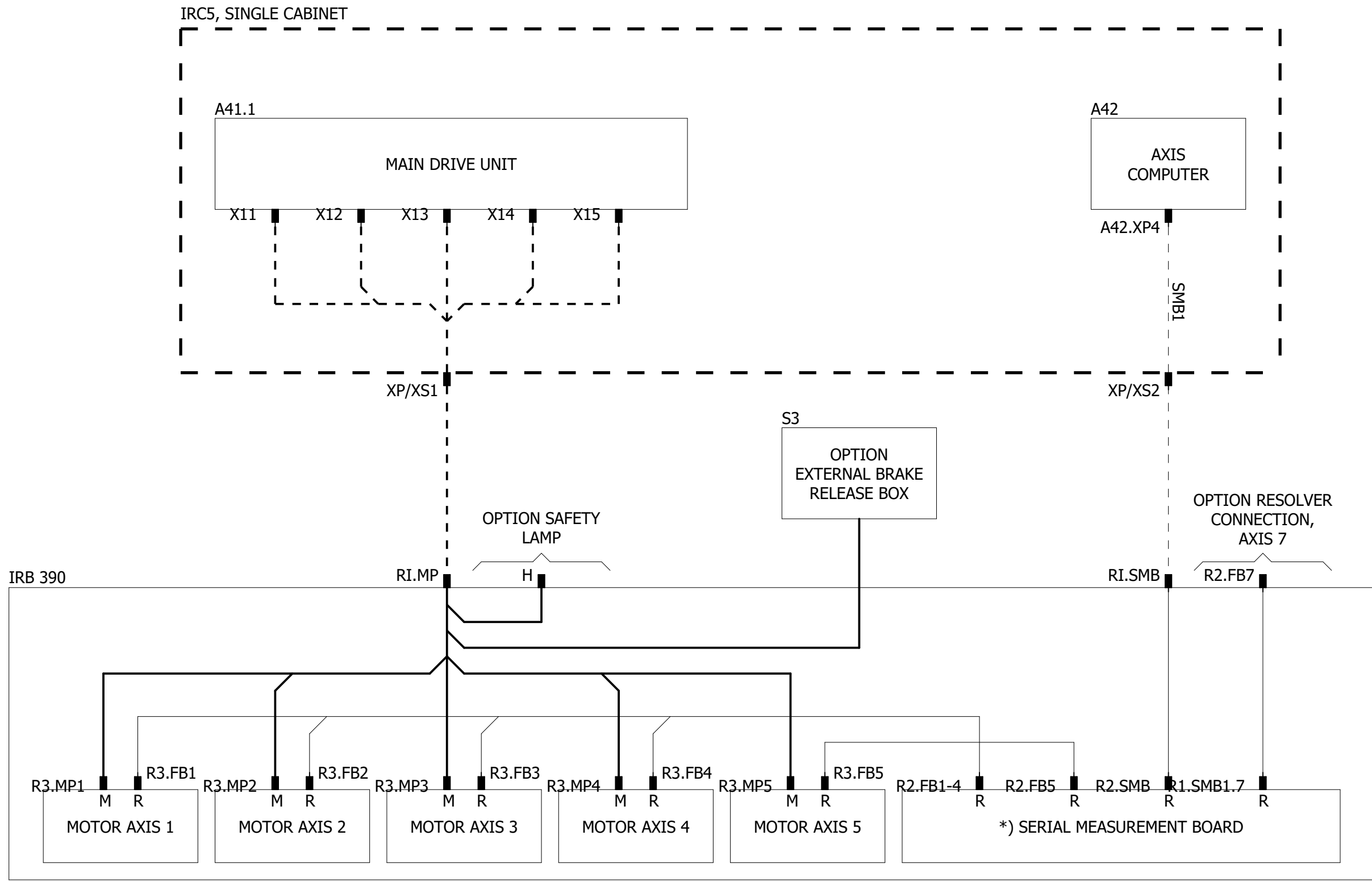
Latest revision:
 ECO 500000134827
 Pages 5,6 split into 5A,5B,6A,6B - OmniCore variant added
 Pages 7,8 split into 7A,7B,8A,8B - variant with or without ext. brake release box added
 Page 9 reference to OmniCore circuit diagrams added
 Page 14 updated
 Prepared by, date: J. POKORNÁ, 2024-09-05 Approved by, date: M. WADSTEIN, 2024-09-05



CIRCUIT DIAGR. IRB390 MANIPULATOR
LEGEND

Status: APPROVED	Plant: = Location: + Sublocation: +	Document no. 3HAC060545-009	Rev. Ind 01	Page 4 Next 5A Total 18
----------------------------	--	---------------------------------------	-----------------------	--------------------------------------

We reserve all rights in this document and in the information contained therein. Reproduction, use or disclosure to third parties without express authority is strictly forbidden. © Copyright ABB



*) CONFIGURATION

MOTOR No.	SMB NODE No.	UNIT
M1	1	MOTOR AXIS 1
M2	2	MOTOR AXIS 2
M3	3	MOTOR AXIS 3
M4	4	MOTOR AXIS 4
M5	5	MOTOR AXIS 5

----- CONNECTION INCLUDED IN THE IRC5 CONTROLLER
CIRCUIT DIAGRAM 3HAC024480-011

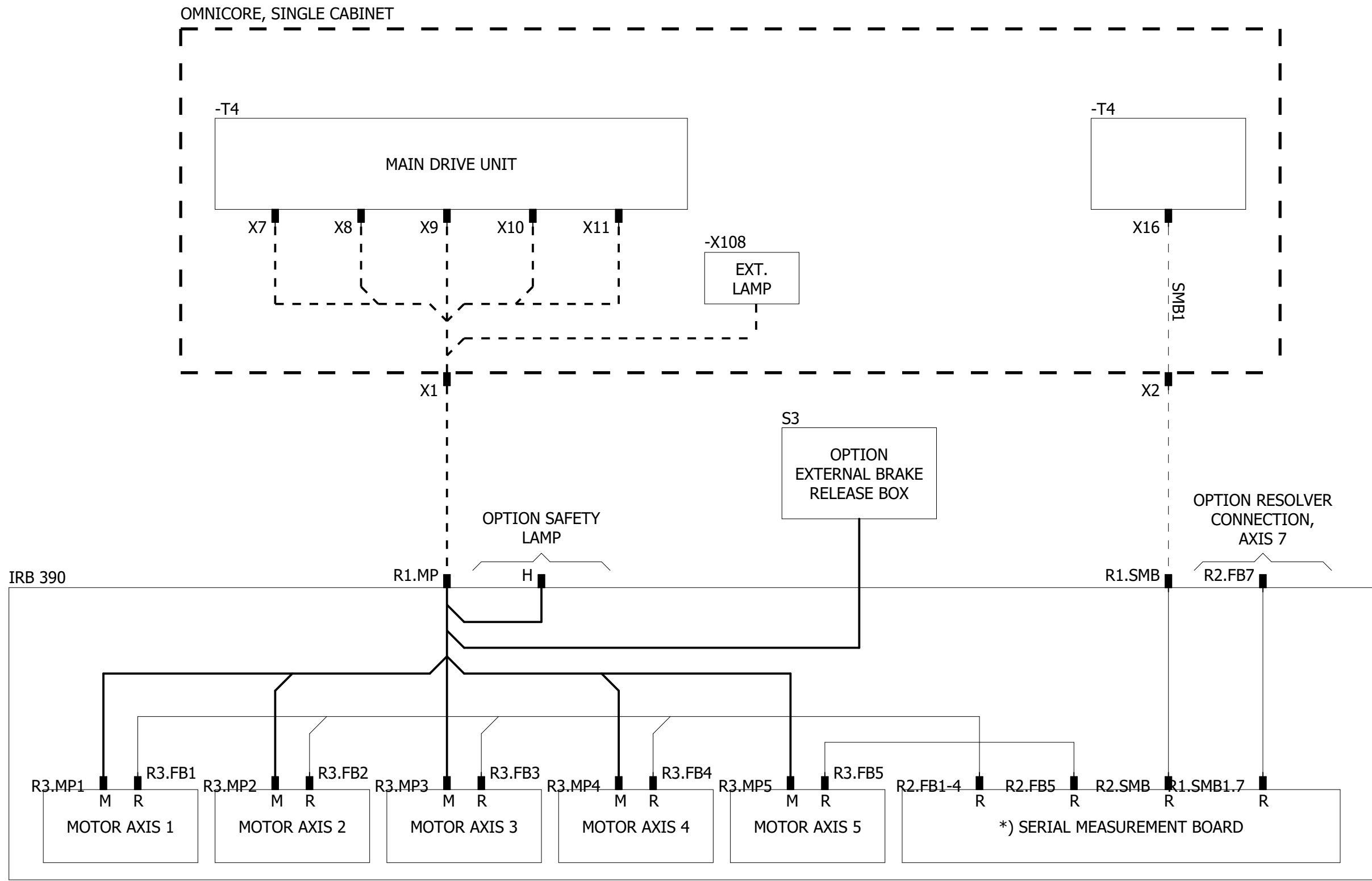
Latest revision:
ECO 500000134827
Pages 5,6 split into 5A,5B,6A,6B - OmniCore variant added
Pages 7,8 split into 7A,7B,8A,8B - variant with or without ext. brake release box added
Page 9 reference to OmniCore circuit diagrams added
Page 14 updated
Prepared by, date: J. POKORNÁ, 2024-09-05 Approved by, date: M. WADSTEIN, 2024-09-05



Lab/Office:
RA/RDP
CIRCUIT DIAGR. IRB390 MANIPULATOR
BLOCK DIAGRAM, IRB 390-10/1300 WITH IRC5

Status: APPROVED
Plant: =
Location: +
Sublocation: +
Document no. 3HAC060545-009
Rev. Ind 01
Page 5A
Next 5B
Total 18

We reserve all rights in this document and in the information contained therein. Reproduction, use or disclosure to third parties without express authority is strictly forbidden. © Copyright ABB



***) CONFIGURATION**

MOTOR No.	SMB NODE No.	UNIT
M1	1	MOTOR AXIS 1
M2	2	MOTOR AXIS 2
M3	3	MOTOR AXIS 3
M4	4	MOTOR AXIS 4
M5	5	MOTOR AXIS 5

----- CONNECTION INCLUDED IN THE OMNICORe CONTROLLER
CIRCUIT DIAGRAM 3HAC074000-008/3HAC082020-008

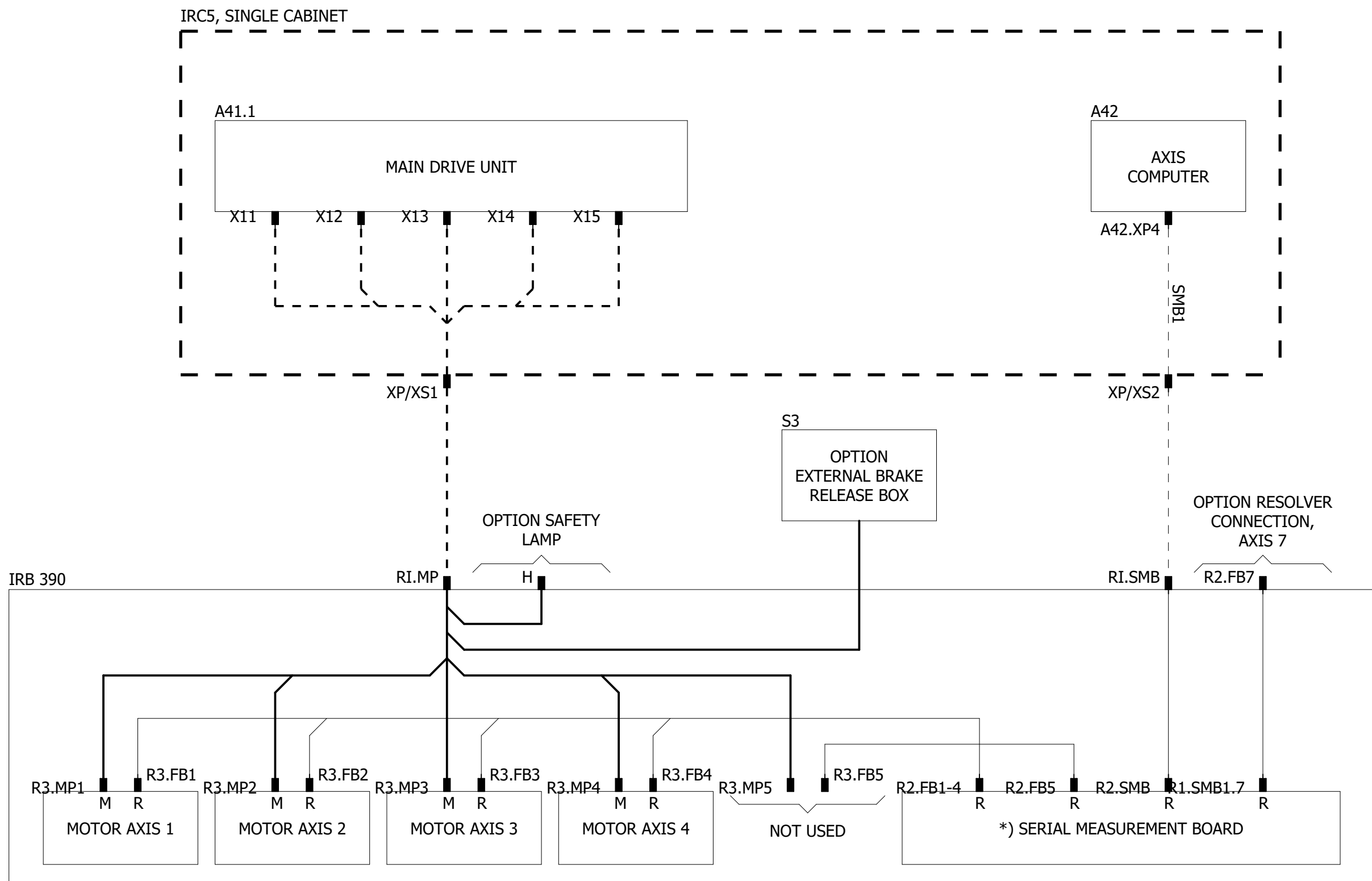
Latest revision:
ECO 500000134827
Pages 5,6 split into 5A,5B,6A,6B - OmniCore variant added
Pages 7,8 split into 7A,7B,8A,8B - variant with or without ext. brake release box added
Page 9 reference to OmniCore circuit diagrams added
Page 14 updated
Prepared by, date: J. POKORNÁ, 2024-09-05 Approved by, date: M. WADSTEIN, 2024-09-05



CIRCUIT DIAGR. IRB390 MANIPULATOR
BLOCK DIAGRAM, IRB 390-10/1300 WITH OMNICORe

Status: APPROVED Plant: =
Location: +
Sublocation: +
Document no. 3HAC060545-009 Rev. Ind 01 Page 5B
Next 6A
Total 18

We reserve all rights in this document and in the information contained therein. Reproduction, use or disclosure to third parties without express authority is strictly forbidden. © Copyright ABB



*) CONFIGURATION

MOTOR No.	SMB NODE No.	UNIT
M1	1	MOTOR AXIS 1
M2	2	MOTOR AXIS 2
M3	3	MOTOR AXIS 3
M4	4	MOTOR AXIS 4

----- CONNECTION INCLUDED IN THE IRC5 CONTROLLER
CIRCUIT DIAGRAM 3HAC024480-011

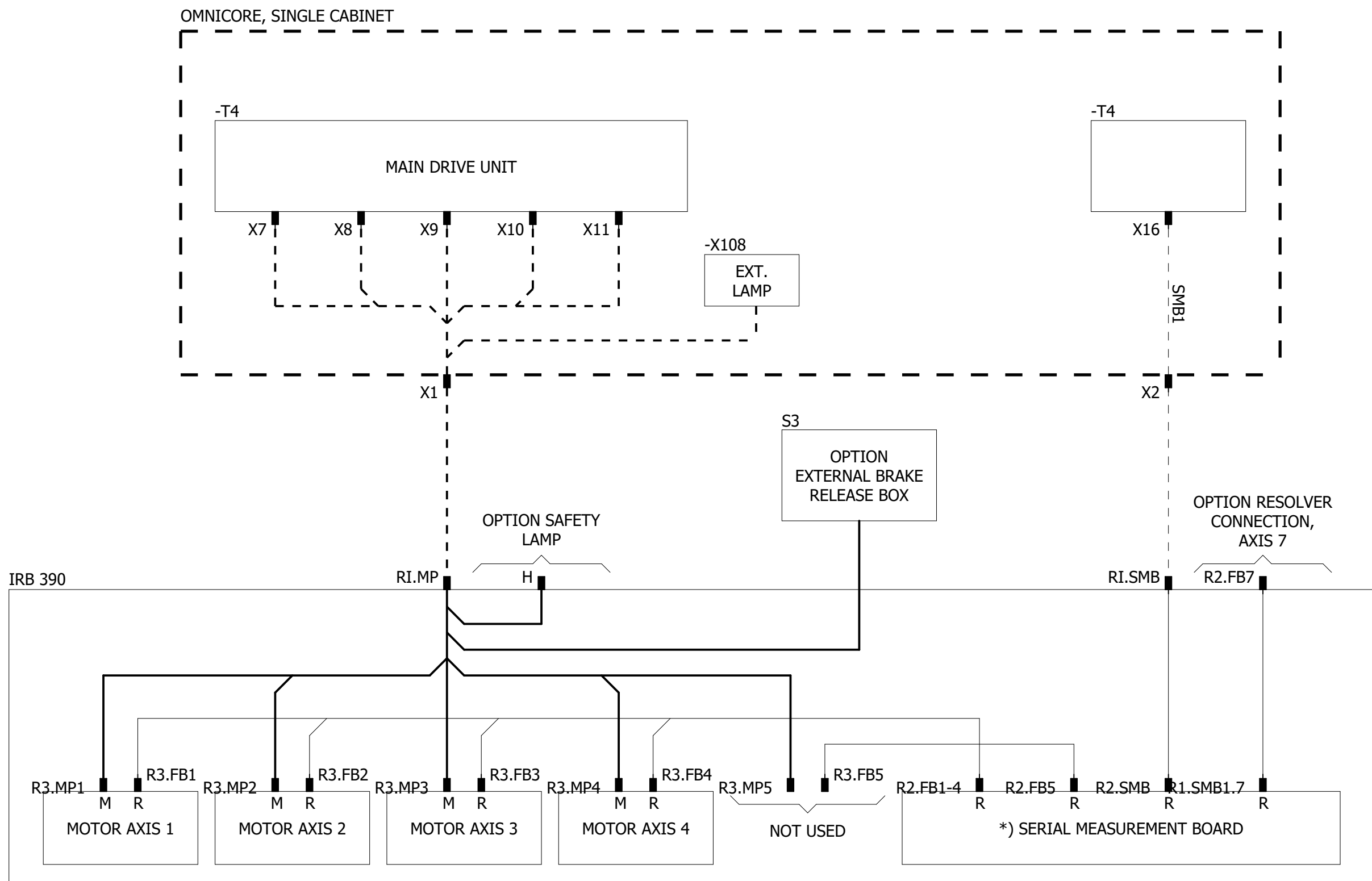
Latest revision:
ECO 500000134827
Pages 5,6 split into 5A,5B,6A,6B - OmniCore variant added
Pages 7,8 split into 7A,7B,8A,8B - variant with or without ext. brake release box added
Page 9 reference to OmniCore circuit diagrams added
Page 14 updated
Prepared by, date: J. POKORNÁ, 2024-09-05 Approved by, date: M. WADSTEIN, 2024-09-05



CIRCUIT DIAGR. IRB390 MANIPULATOR
BLOCK DIAGRAM, IRB 390-15/1300 WITH IRC5

Status: APPROVED Plant: =
Location: + Sublocation: +
Document no. 3HAC060545-009 Rev. Ind 01 Page 6A
Next 6B Total 18

We reserve all rights in this document and in the information contained therein. Reproduction, use or disclosure to third parties without express authority is strictly forbidden. © Copyright ABB



*) CONFIGURATION

MOTOR No.	SMB NODE No.	UNIT
M1	1	MOTOR AXIS 1
M2	2	MOTOR AXIS 2
M3	3	MOTOR AXIS 3
M4	4	MOTOR AXIS 4

----- CONNECTION INCLUDED IN THE OMNICORE CONTROLLER
CIRCUIT DIAGRAM 3HAC074000-008/3HAC082020-008

Latest revision:
ECO 500000134827
Pages 5,6 split into 5A,5B,6A,6B - OmniCore variant added
Pages 7,8 split into 7A,7B,8A,8B - variant with or without ext. brake release box added
Page 9 reference to OmniCore circuit diagrams added
Page 14 updated
Prepared by, date: J. POKORNÁ, 2024-09-05 Approved by, date: M. WADSTEIN, 2024-09-05

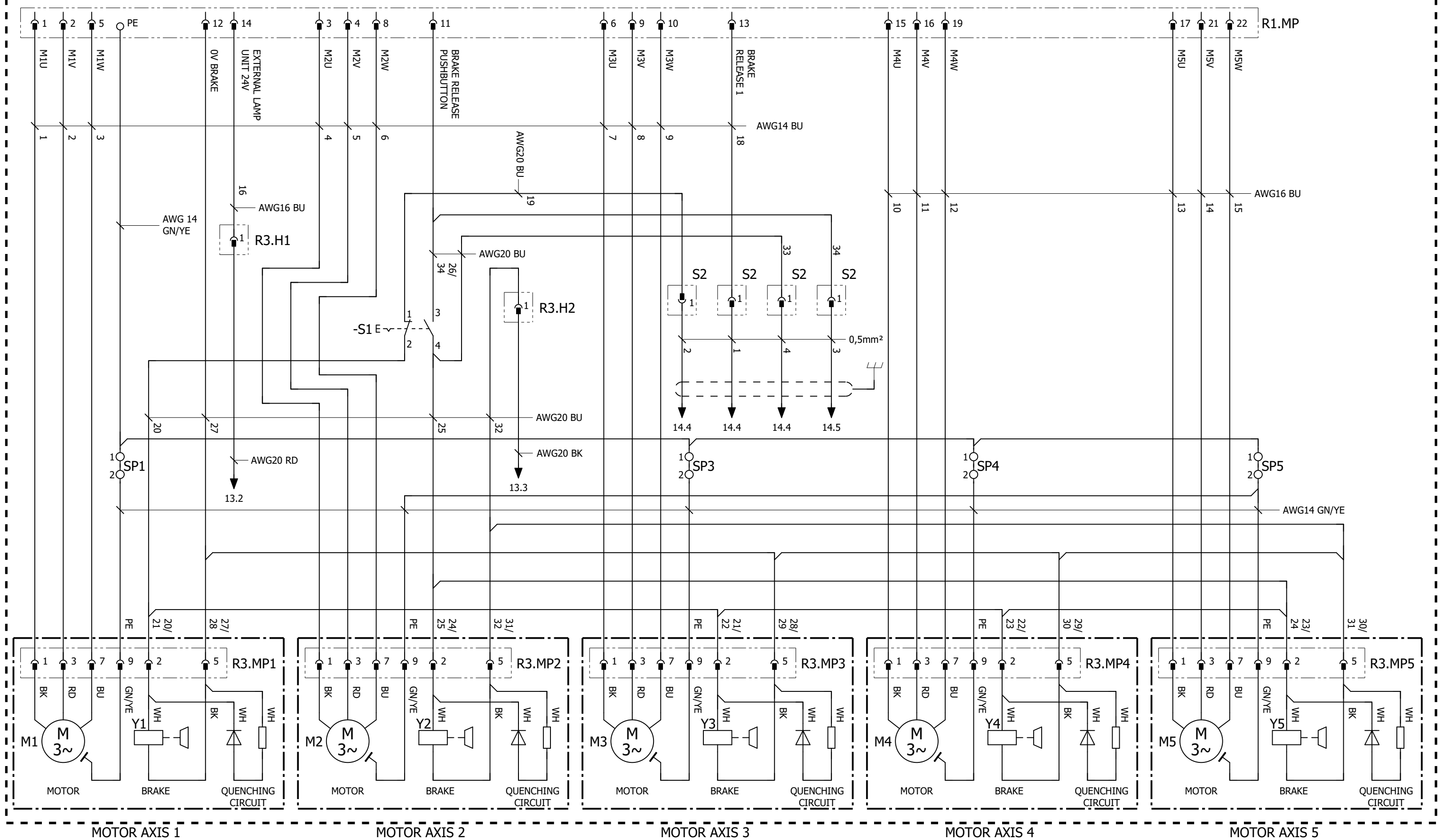


CIRCUIT DIAGR. IRB390 MANIPULATOR
BLOCK DIAGRAM, IRB 390-15/1300 WITH OMNICORE

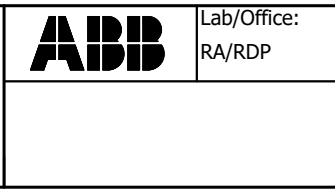
Status: APPROVED Plant: =
Location: + Sublocation: +
Document no. 3HAC060545-009 Rev. Ind 01 Page 6B
Next 7A Total 18

SEE THE IRC5 CONTROLLER CIRCUIT DIAGRAM 3HAC024480-011 OR OMNICORE CONTROLLER CIRCUIT DIAGRAMS 3HAC074000-008/3HAC082020-008

IRB 390



Latest revision:
 ECO 500000134827
 Pages 5,6 split into 5A,5B,6A,6B - OmniCore variant added
 Pages 7,8 split into 7A,7B,8A,8B - variant with or without ext. brake release box added
 Page 9 reference to OmniCore circuit diagrams added
 Page 14 updated
 Prepared by, date: J. POKORNÁ, 2024-09-05 Approved by, date: M. WADSTEIN, 2024-09-05

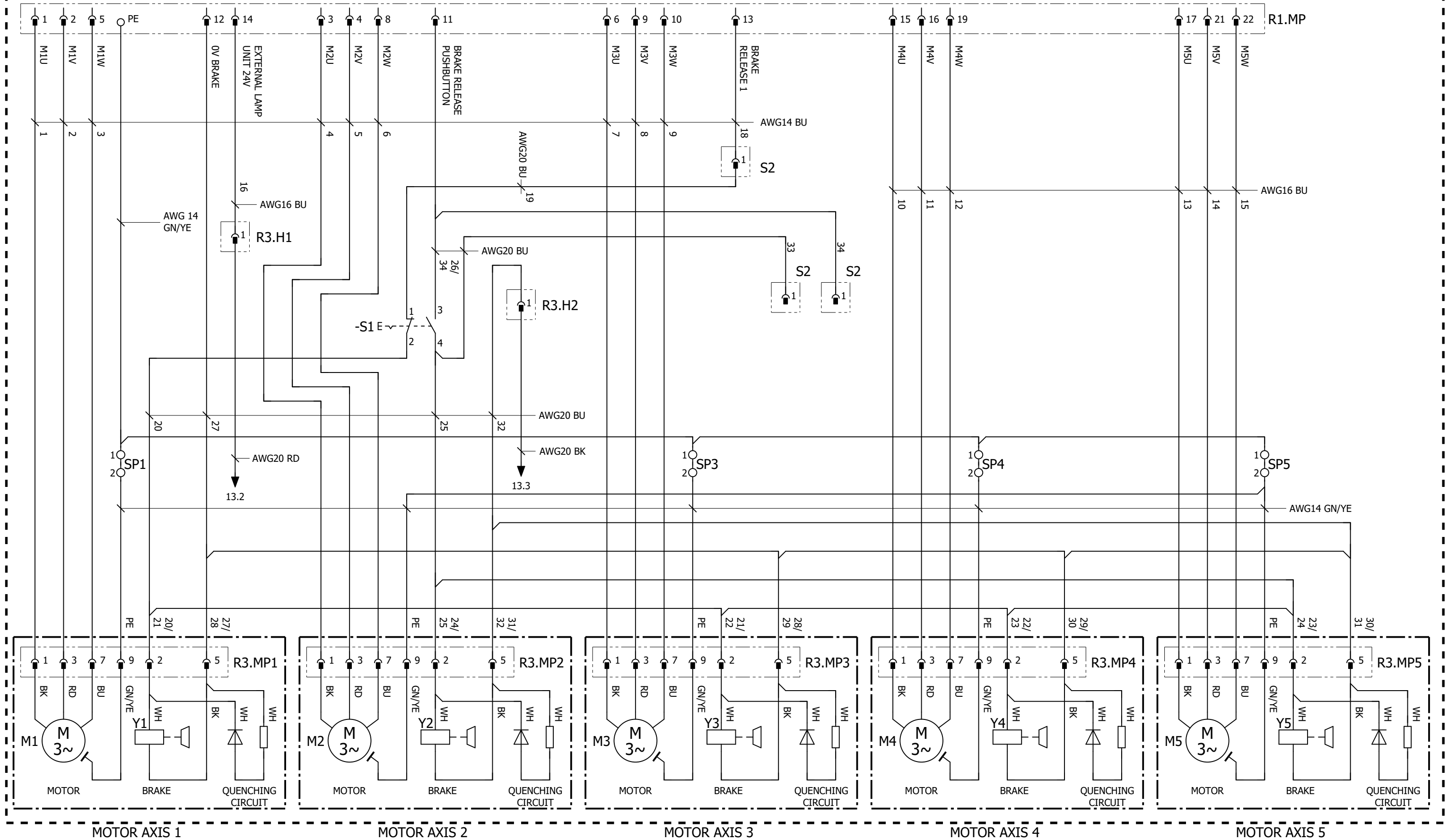


CIRCUIT DIAGR. IRB390 MANIPULATOR
 MOTOR POWER, AXIS 1-5.
 IRB 390-10/1300
 WITH EXTERNAL BRAKE RELEASE BOX

Status: APPROVED	Plant: =	Rev. Ind 01	Page 7A Next 7B Total 18
Document no. 3HAC060545-009	Location: + Sublocation:+		

SEE THE IRC5 CONTROLLER CIRCUIT DIAGRAM 3HAC024480-011 OR OMNICORE CONTROLLER CIRCUIT DIAGRAMS 3HAC074000-008/3HAC082020-008

IRB 390



MOTOR AXIS 1

MOTOR AXIS 2

MOTOR AXIS 3

MOTOR AXIS 4

MOTOR AXIS 5

Latest revision:
 ECO 500000134827
 Pages 5,6 split into 5A,5B,6A,6B - OmniCore variant added
 Pages 7,8 split into 7A,7B,8A,8B - variant with or without ext. brake release box added
 Page 9 reference to OmniCore circuit diagrams added
 Page 14 updated
 Prepared by, date: J. POKORNÁ, 2024-09-05 Approved by, date: M. WADSTEIN, 2024-09-05



Lab/Office:
RA/RDP

CIRCUIT DIAGR. IRB390 MANIPULATOR
 MOTOR POWER, AXIS 1-5.
 IRB 390-10/1300
 WITHOUT EXTERNAL BRAKE RELEASE BOX

Status:
APPROVED

Plant: =
 Location: +
 Sublocation: +

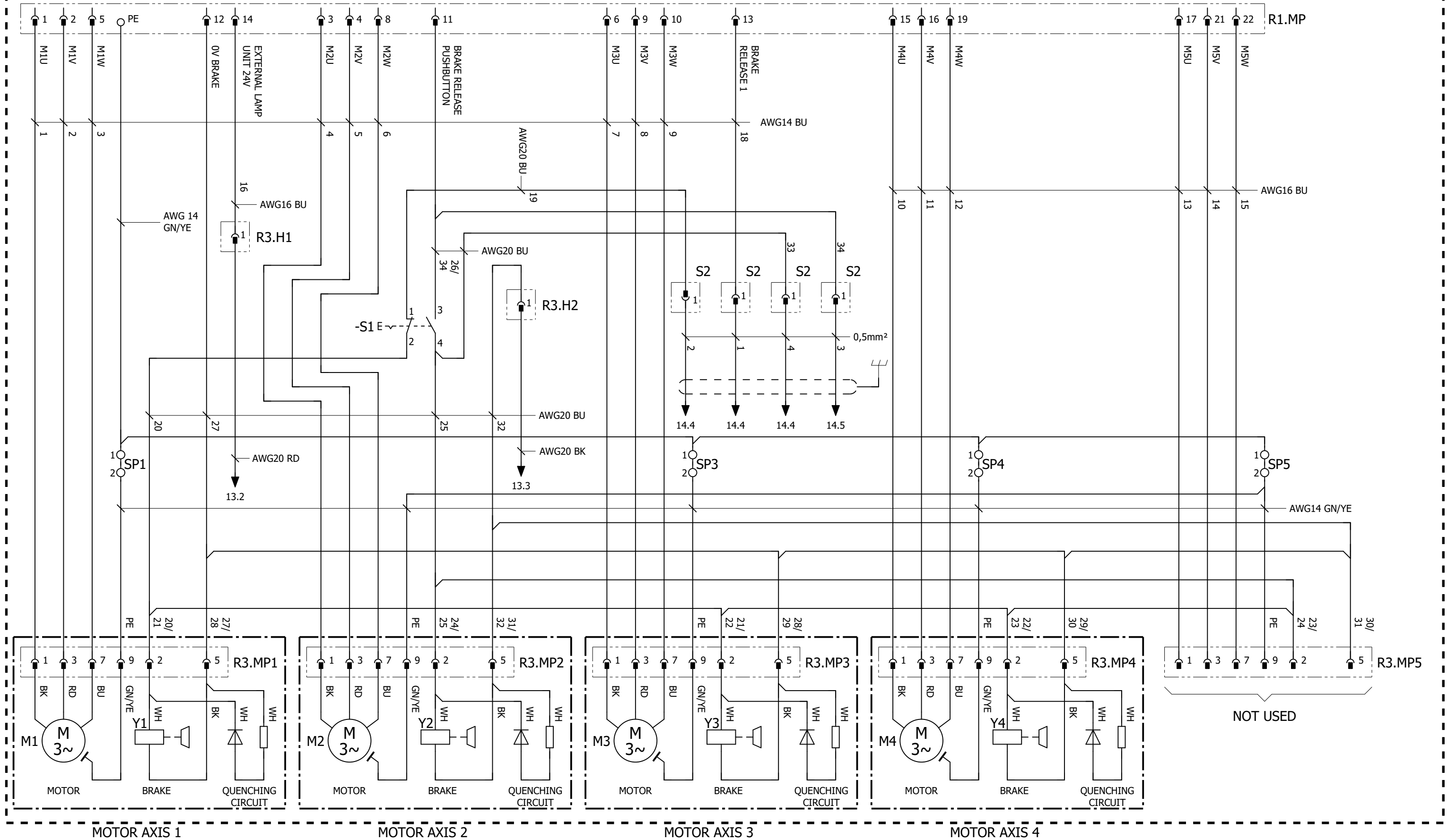
Document no.
3HAC060545-009

Rev. Ind Page 7B
 01 Next 8A
 Total 18

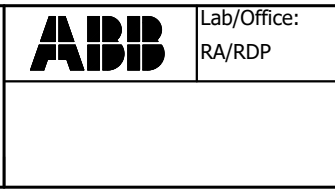
We reserve all rights in this document and in the information contained therein. Reproduction, use or disclosure to third parties without express authority is strictly forbidden. © Copyright ABB

SEE THE IRC5 CONTROLLER CIRCUIT DIAGRAM 3HAC024480-011 OR OMNICORE CONTROLLER CIRCUIT DIAGRAMS 3HAC074000-008/3HAC082020-008

IRB 390



Latest revision:
 ECO 500000134827
 Pages 5,6 split into 5A,5B,6A,6B - OmniCore variant added
 Pages 7,8 split into 7A,7B,8A,8B - variant with or without ext. brake release box added
 Page 9 reference to OmniCore circuit diagrams added
 Page 14 updated
 Prepared by, date: J. POKORNÁ, 2024-09-05
 Approved by, date: M. WADSTEIN, 2024-09-05



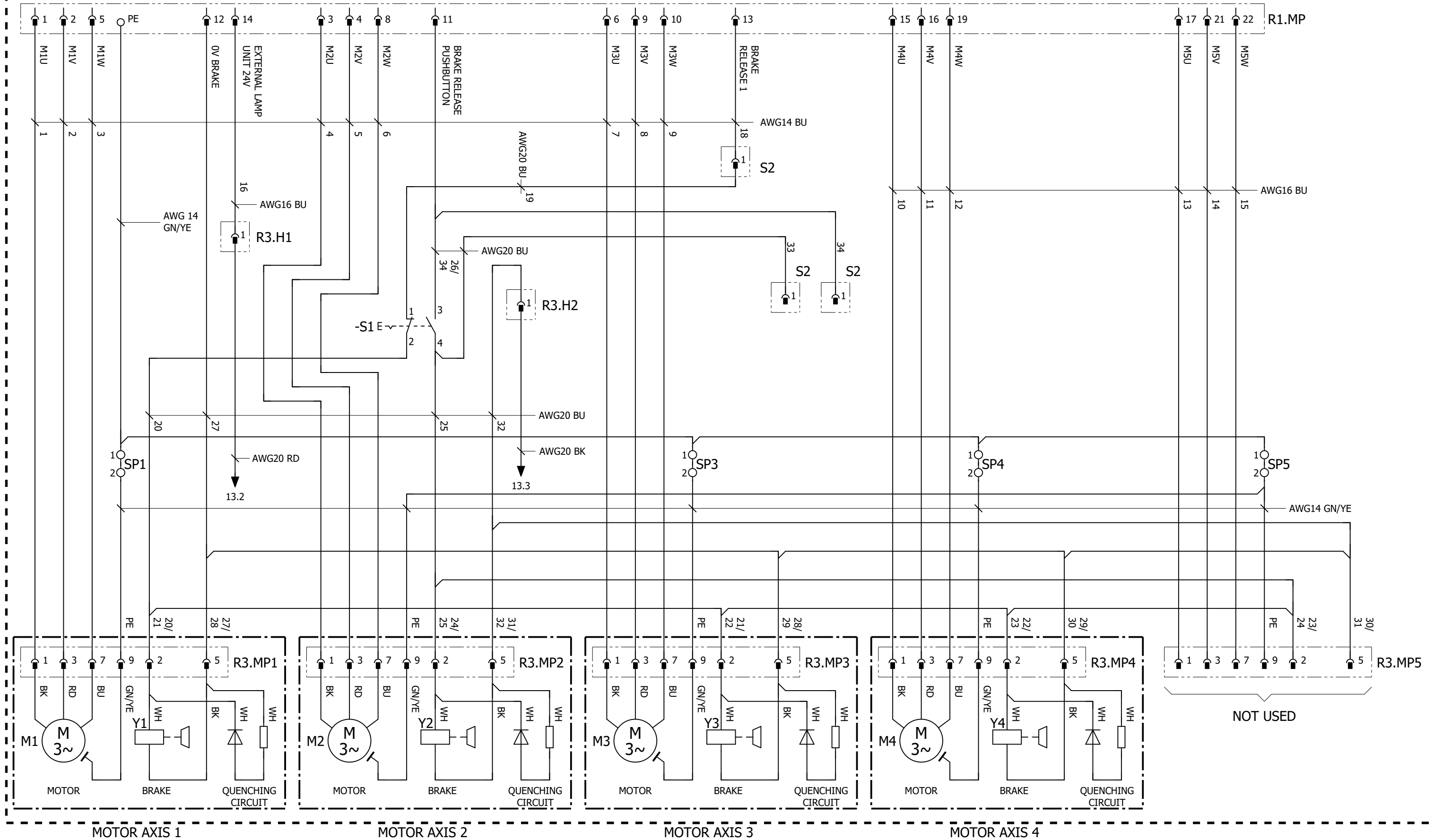
CIRCUIT DIAGR. IRB390 MANIPULATOR
 MOTOR POWER, AXIS 1-4.
 IRB 390-15/1300
 WITH EXTERNAL BRAKE RELEASE BOX

Status: APPROVED	Plant: =	Location: +	Sublocation: +
Document no. 3HAC060545-009	Rev. Ind 01	Page 8A	Next 8B
		Total 18	

We reserve all rights in this document and in the information contained therein. Reproduction, use or disclosure to third parties without express authority is strictly forbidden. © Copyright ABB

SEE THE IRC5 CONTROLLER CIRCUIT DIAGRAM 3HAC024480-011 OR OMNICORE CONTROLLER CIRCUIT DIAGRAMS 3HAC074000-008/3HAC082020-008

IRB 390



Latest revision:
 ECO 500000134827
 Pages 5,6 split into 5A,5B,6A,6B - OmniCore variant added
 Pages 7,8 split into 7A,7B,8A,8B - variant with or without ext. brake release box added
 Page 9 reference to OmniCore circuit diagrams added
 Page 14 updated
 Prepared by, date: J. POKORNÁ, 2024-09-05 Approved by, date: M. WADSTEIN, 2024-09-05

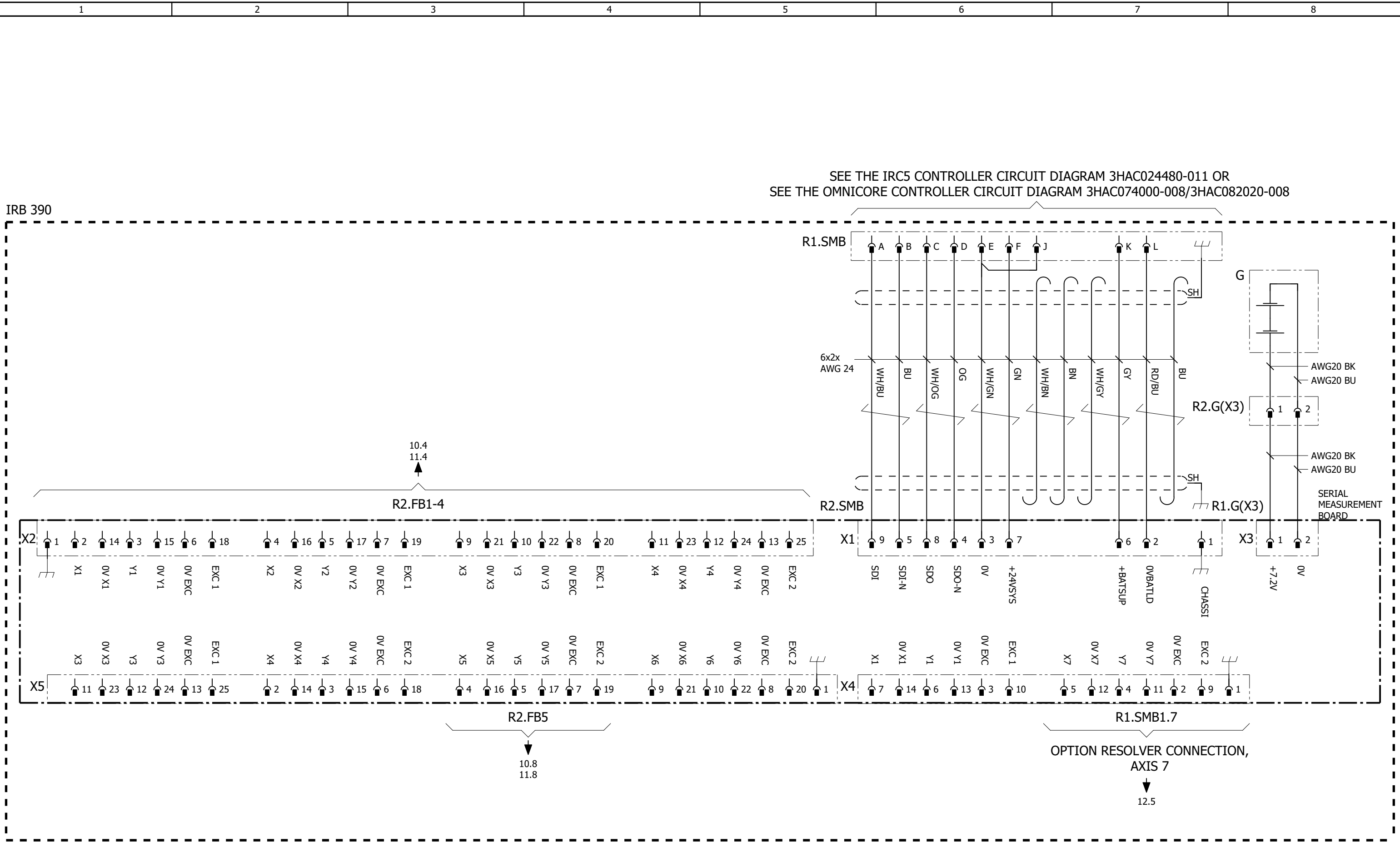


CIRCUIT DIAGR. IRB390 MANIPULATOR
 MOTOR POWER, AXIS 1-4.
 IRB 390-15/1300
 WITHOUT EXTERNAL BRAKE RELEASE BOX

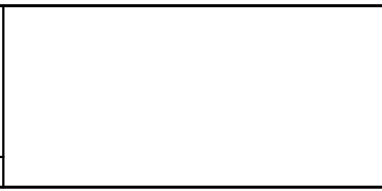
Status: APPROVED	Plant: =	Location: +	Sublocation: +
Document no. 3HAC060545-009	Rev. Ind 01	Page 8B Next 9 Total 18	

We reserve all rights in this document and in the information contained therein. Reproduction, use or disclosure to third parties without express authority is strictly forbidden. © Copyright ABB

We reserve all rights in this document and in the information contained therein. Reproduction, use or disclosure to third parties without express authority is strictly forbidden. © Copyright ABB



Latest revision:
 ECO 500000134827
 Pages 5,6 split into 5A,5B,6A,6B - OmniCore variant added
 Pages 7,8 split into 7A,7B,8A,8B - variant with or without ext. brake release box added
 Page 9 reference to OmniCore circuit diagrams added
 Page 14 updated
 Prepared by, date: J. POKORNÁ, 2024-09-05 Approved by, date: M. WADSTEIN, 2024-09-05



Lab/Office:
RA/RDP

**CIRCUIT DIAGR. IRB390 MANIPULATOR
SERIAL MEASUREMENT BOARD**

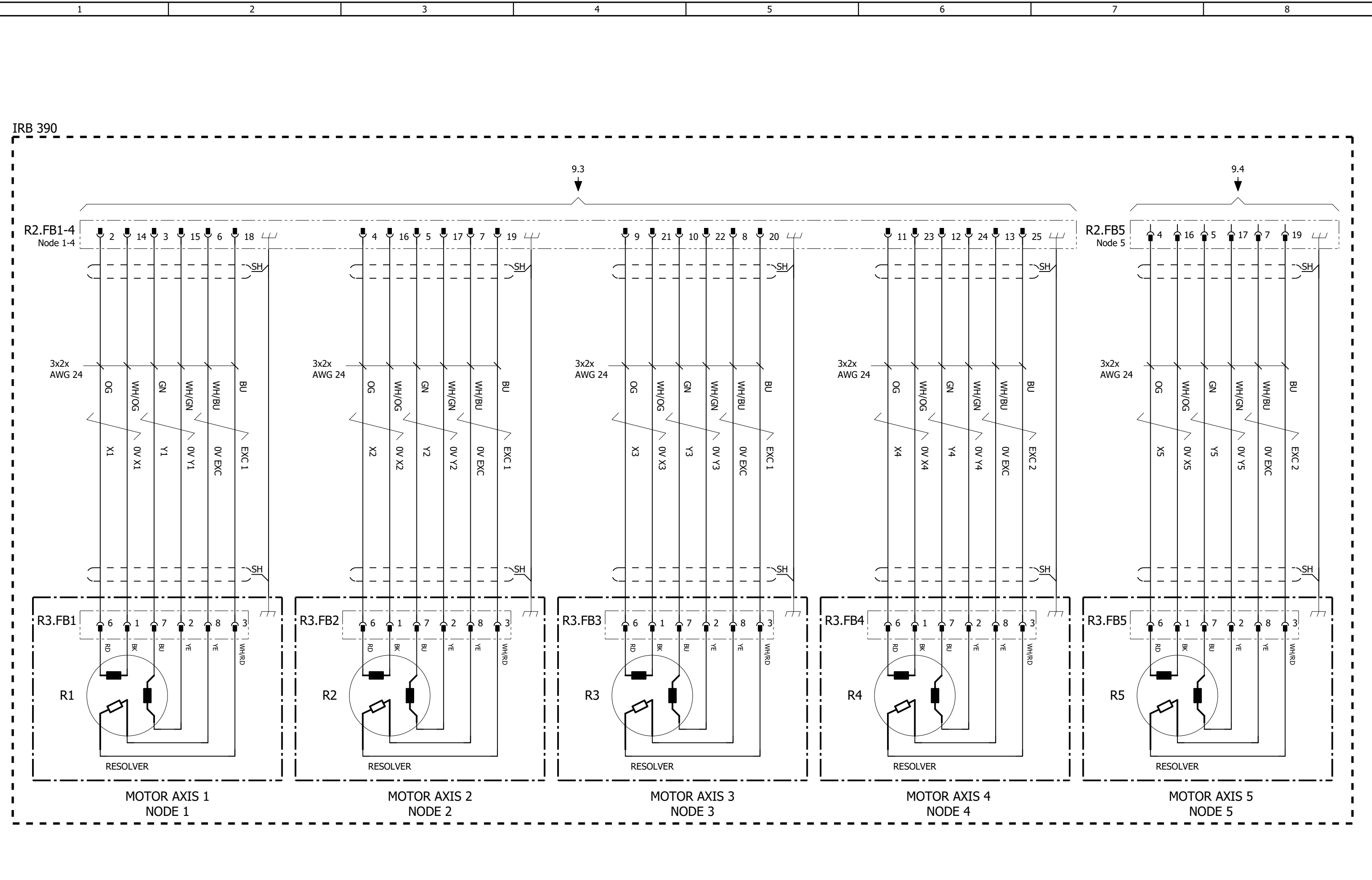
Status:
APPROVED

Document no.
3HAC060545-009

Plant: =
Location: +
Sublocation: +

Rev. Ind **01** Page **9**
 Next **10**
 Total **18**

We reserve all rights in this document and in the information contained therein. Reproduction, use or disclosure to third parties without express authority is strictly forbidden. © Copyright - ABB



Latest revision:
 ECO 500000134827
 Pages 5,6 split into 5A,5B,6A,6B - OmniCore variant added
 Pages 7,8 split into 7A,7B,8A,8B - variant with or without ext. brake release box added
 Page 9 reference to OmniCore circuit diagrams added
 Page 14 updated
 Prepared by, date: J. POKORNÁ, 2024-09-05 Approved by, date: M. WADSTEIN, 2024-09-05

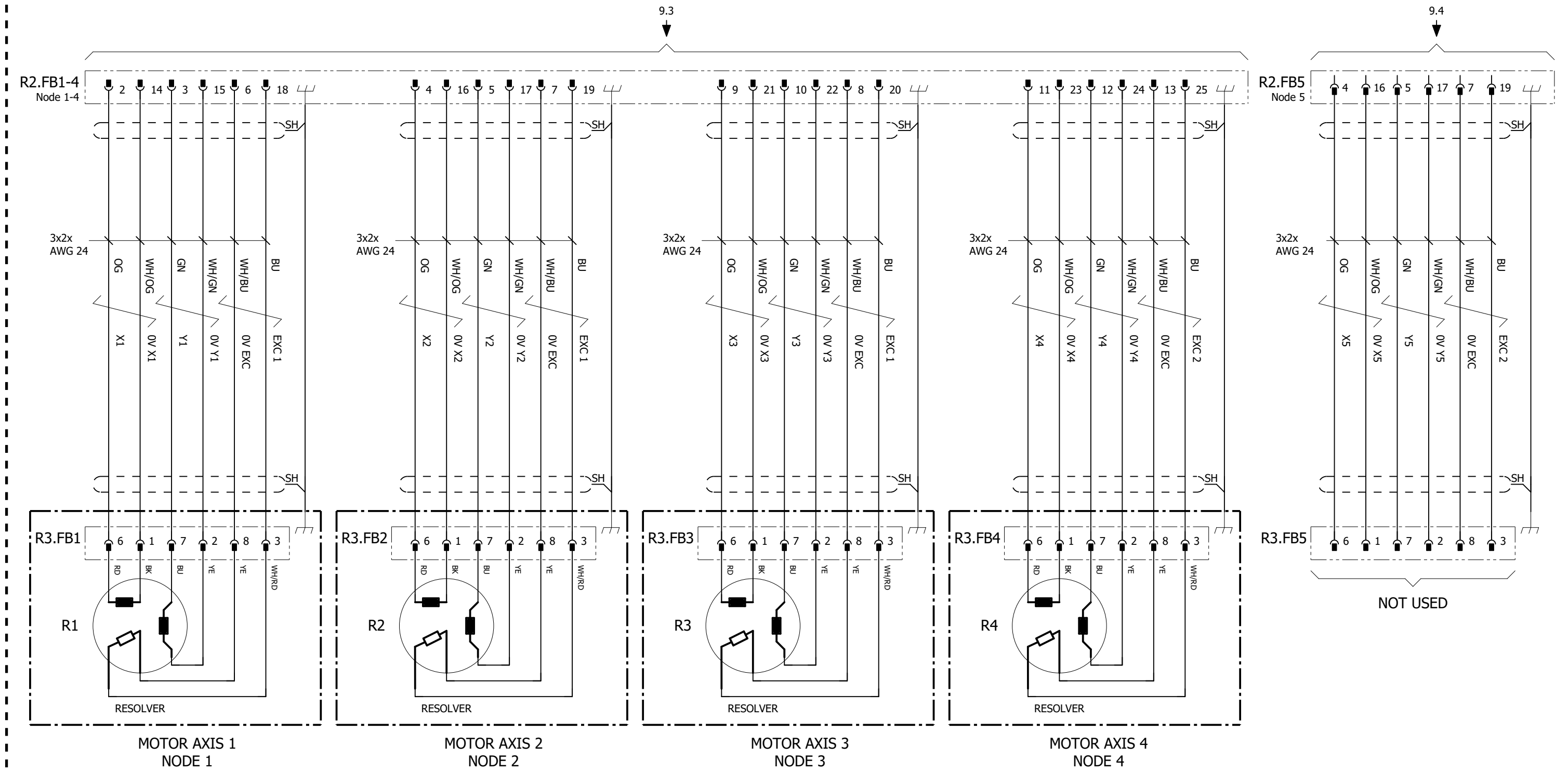


CIRCUIT DIAGR. IRB390 MANIPULATOR
 RESOLVER FEED-BACK, AXIS 1-5.
 IRB 390-10/1300

Status: APPROVED	Plant: =	Rev. Ind 01	Page 10
Document no. 3HAC060545-009	Location: +		
		Total 18	

We reserve all rights in this document and in the information contained therein. Reproduction, use or disclosure to third parties without express authority is strictly forbidden. © Copyright ABB

IRB 390



Latest revision:
 ECO 500000134827
 Pages 5,6 split into 5A,5B,6A,6B - OmniCore variant added
 Pages 7,8 split into 7A,7B,8A,8B - variant with or without ext. brake release box added
 Page 9 reference to OmniCore circuit diagrams added
 Page 14 updated
 Prepared by, date: J. POKORNÁ, 2024-09-05 Approved by, date: M. WADSTEIN, 2024-09-05

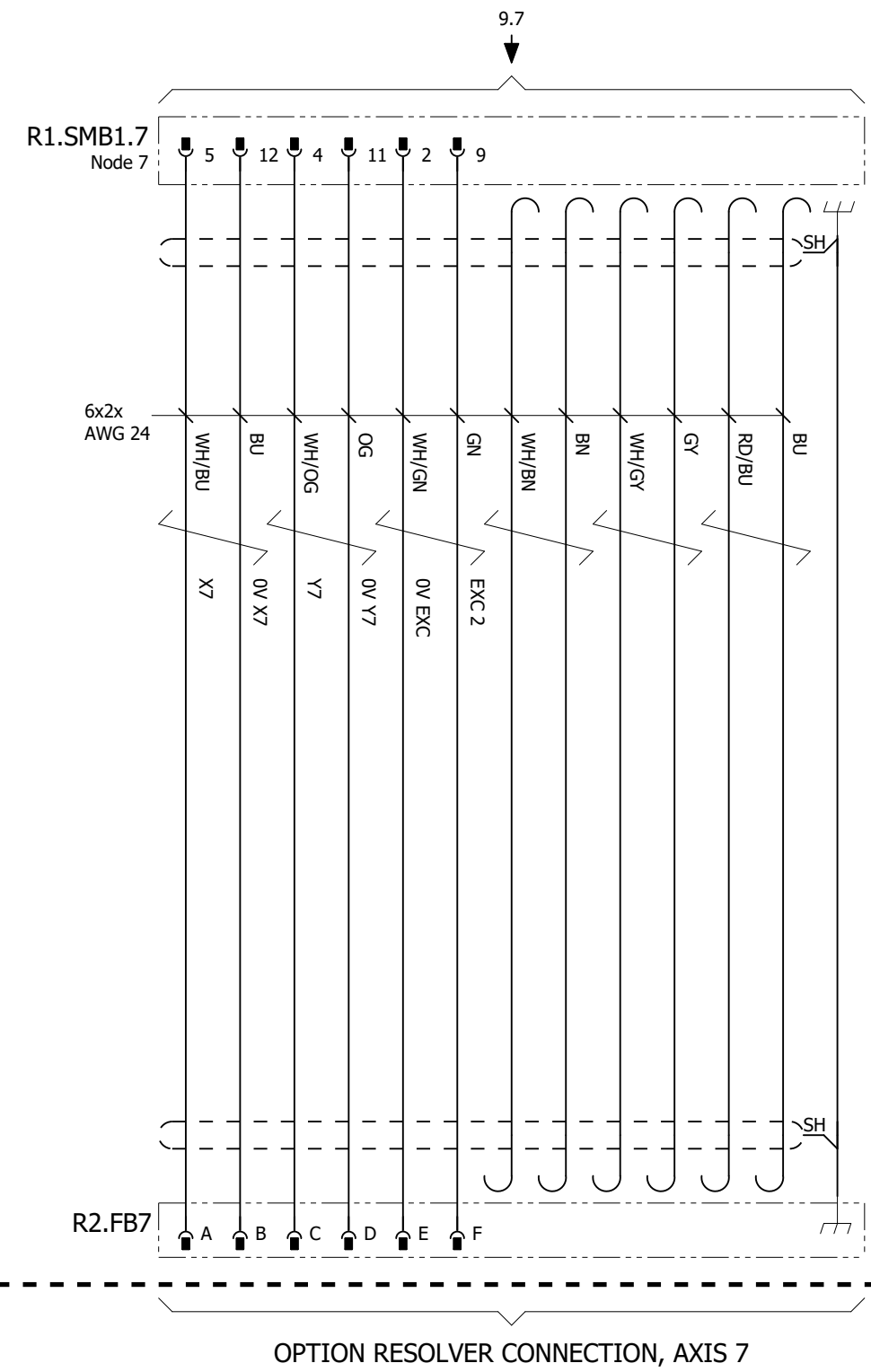


CIRCUIT DIAGR. IRB390 MANIPULATOR
 RESOLVER FEED-BACK, AXIS 1-4.
 IRB 390-15/1300

Status: APPROVED	Plant: =	Rev. Ind 01	Page 11
Document no. 3HAC060545-009	Location: +		Next 12
			Total 18

We reserve all rights in this document and in the information contained therein. Reproduction, use or disclosure to third parties without express authority is strictly forbidden. © Copyright ABB

IRB 390



Latest revision:
 ECO 500000134827
 Pages 5,6 split into 5A,5B,6A,6B - OmniCore variant added
 Pages 7,8 split into 7A,7B,8A,8B - variant with or without ext. brake release box added
 Page 9 reference to OmniCore circuit diagrams added
 Page 14 updated
 Prepared by, date: J. POKORNÁ, 2024-09-05 Approved by, date: M. WADSTEIN, 2024-09-05

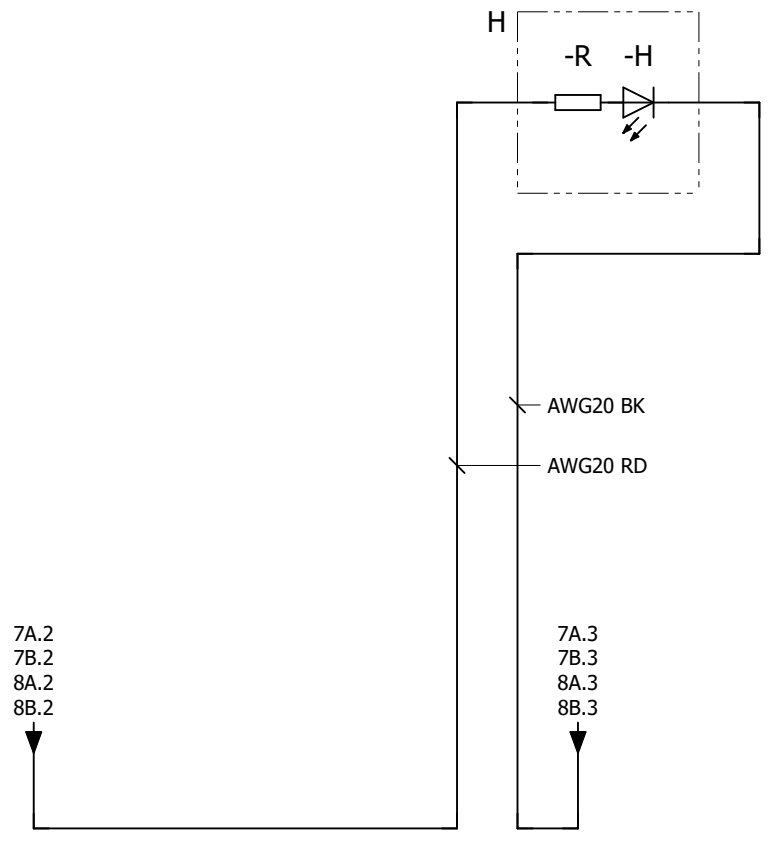


CIRCUIT DIAGR. IRB390 MANIPULATOR
 OPTION RESOLVER CONNECTION,
 AXIS 7

Status: APPROVED	Plant: =	Location: +	Sublocation: +
Document no. 3HAC060545-009	Rev. Ind 01	Page 12	Next 13
		Total 18	

We reserve all rights in this document and in the information contained therein. Reproduction, use or disclosure to third parties without express authority is strictly forbidden. © Copyright ABB

IRB 390



Latest revision:
 ECO 500000134827
 Pages 5,6 split into 5A,5B,6A,6B - OmniCore variant added
 Pages 7,8 split into 7A,7B,8A,8B - variant with or without ext. brake release box added
 Page 9 reference to OmniCore circuit diagrams added
 Page 14 updated
 Prepared by, date: J. POKORNÁ, 2024-09-05 Approved by, date: M. WADSTEIN, 2024-09-05



Lab/Office:
RA/RDP

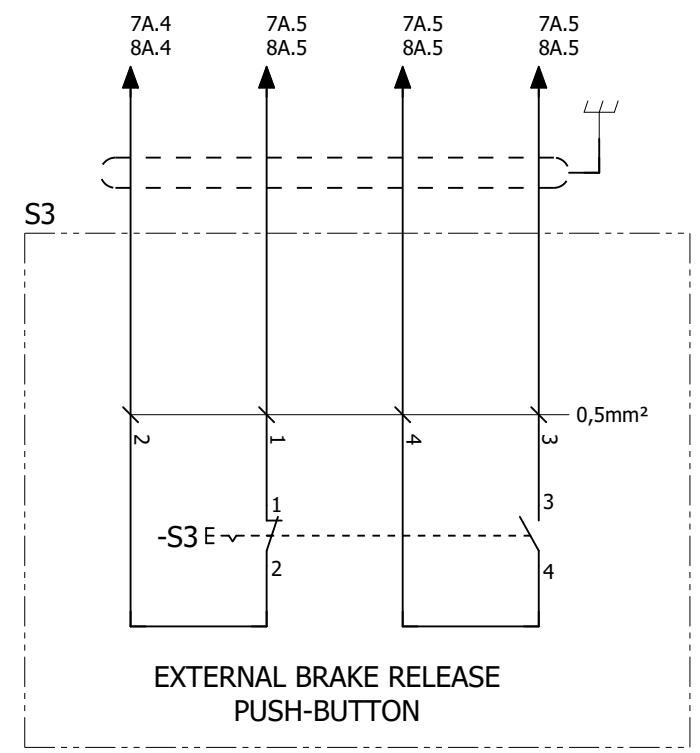
CIRCUIT DIAGR. IRB390 MANIPULATOR
OPTION SAFETY LAMP

Status:
APPROVED

Plant: =
 Location: +
 Sublocation: +

Document no. 3HAC060545-009	Rev. Ind	Page 13
	01	Next 14
		Total 18

We reserve all rights in this document and in the information contained therein. Reproduction, use or disclosure to third parties without express authority is strictly forbidden. © Copyright ABB



Latest revision:
 ECO 500000134827
 Pages 5,6 split into 5A,5B,6A,6B - OmniCore variant added
 Pages 7,8 split into 7A,7B,8A,8B - variant with or without ext. brake release box added
 Page 9 reference to OmniCore circuit diagrams added
 Page 14 updated
 Prepared by, date: J. POKORNÁ, 2024-09-05 Approved by, date: M. WADSTEIN, 2024-09-05

ABB Lab/Office:
RA/RDP

CIRCUIT DIAGR. IRB390 MANIPULATOR
 OPTION EXTERNAL BRAKE
 RELEASE BOX

Status: APPROVED	Plant: =	Location: +	Sublocation: +
Document no. 3HAC060545-009	Rev. Ind 01	Page 14 Next	Total 18